

DWG. NO.	031-8510		
REVISIONS			
SYM.	E.C.N.	DATE	APVD.
A	23365	4/14/97	
REVISED & UPDATED			
B	24482	1/12/01	
REVISED & UPDATED			

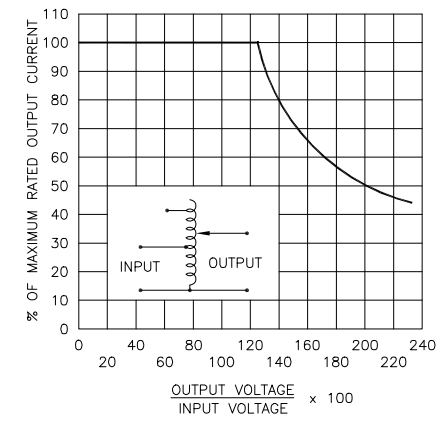
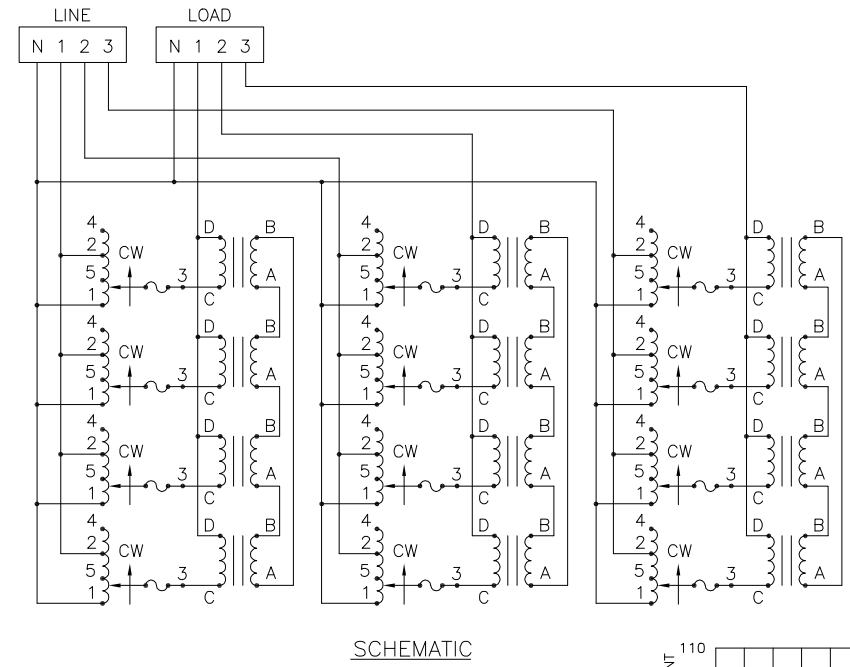
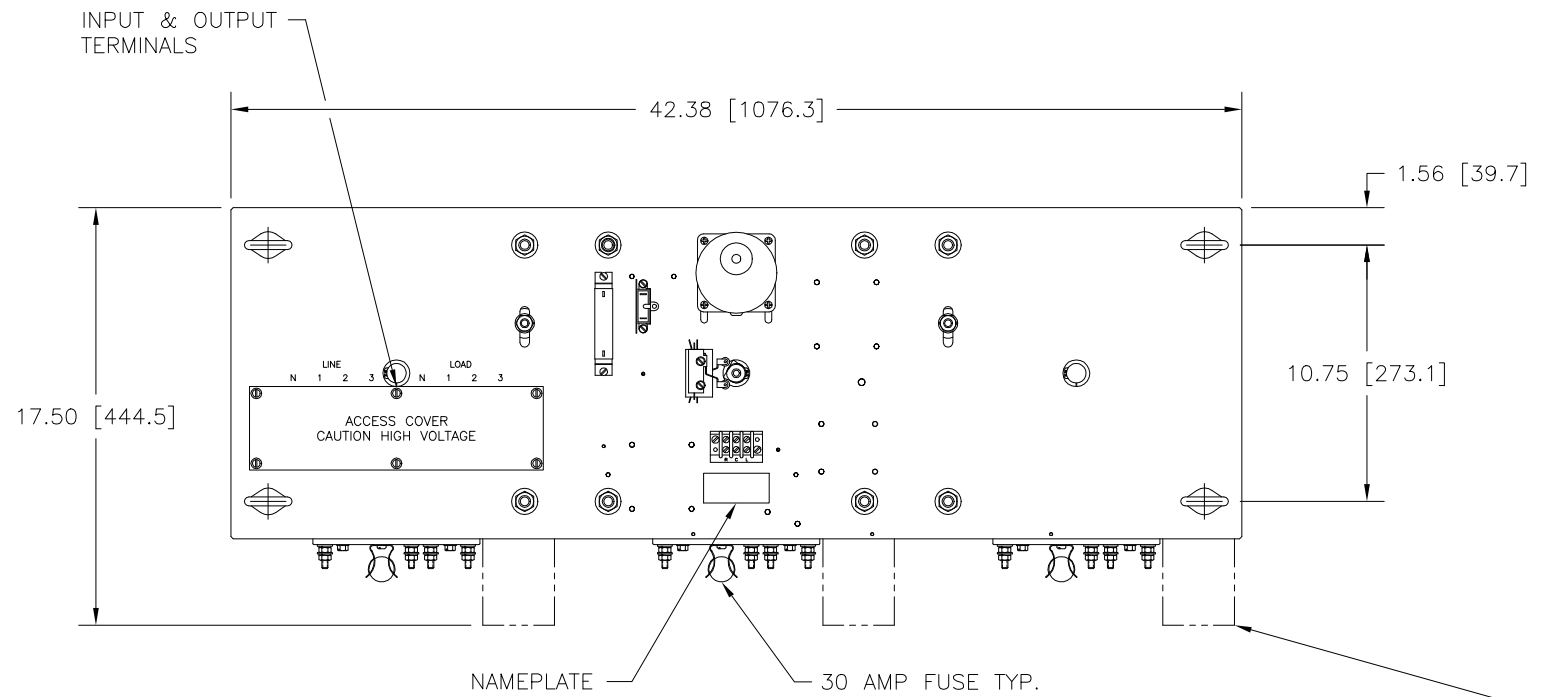


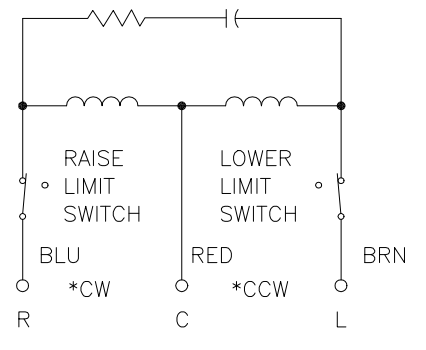
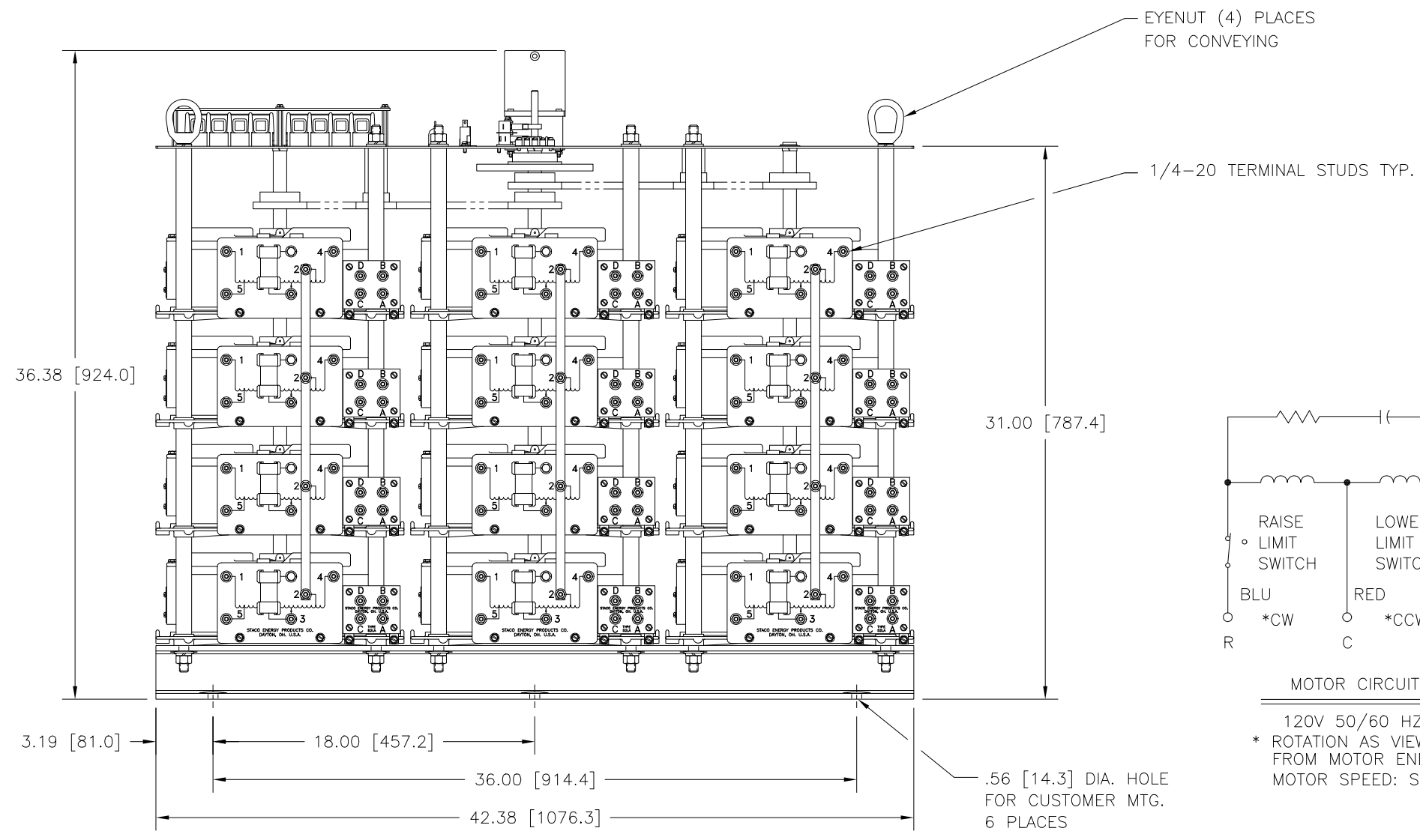
FIGURE A
MAXIMUM OUTPUT CURRENT OF ANY DUAL INPUT VOLTAGE OR VOLTAGE DOUBLER UNIT OPERATED AT LOWER INPUT VOLTAGE.

* MAXIMUM OUTPUT CURRENT IN OUTPUT VOLTAGE RANGE FROM 0 TO 25% ABOVE LINE VOLTAGE. AT HIGHER OUTPUT VOLTAGES, OUTPUT CURRENT MUST BE REDUCED ACCORDING TO RATING CURVE, FIGURE A.

++ MAXIMUM KVA AT MAXIMUM OUTPUT AND CORRESPONDING DE-RATED CURRENT. MAXIMUM KVA AT LOWER OUTPUT VOLTAGES MAY BE CALCULATED FROM RATING CURVE, FIGURE A.

V.D. = VOLTAGE DOUBLER.

SPEED (SECONDS)	MODEL NUMBER
30	30M5021-12Y
60	60M5021-12Y



120V 50/60 HZ
* ROTATION AS VIEWED FROM MOTOR END
MOTOR SPEED: SEE CHART

WIRING	INPUT		OUTPUT		SHAFT ROTATION TO INCREASE VOLTAGE	TERMINAL CONNECTIONS		
	VOLTS	HERTZ	VOLTS	CONSTANT CURRENT LOAD		FOR INCREASING VOLTAGE AS VIEWED FROM ROTOR END		
				MAX. AMPS		MAX. KVA	INPUT	OUTPUT
THREE PHASE WYE	480	50/60	0-480	112	93.1	CW	4-4-4	D-D-D
		60	0-560	112	108.6	CW	2-2-2	D-D-D
	240	60	0-560	112*48 V.D.	46.6 ++	CW	5-5-5	D-D-D

UNLESS OTHERWISE SPECIFIED, TOLERANCE IS ± DECIMALS HOLES .12 ANGLES DRAFT 1° UNITS IN [mm]

MATERIAL: ALL DIMENSIONS APPLY AFTER PLATING

TITLE: SPEC. CONTROL DRAWING VARIABLE TRANSFORMER TYPE: M5021-12Y

DRAWN BY: TIM RAU DATE: 4/14/97 FIRST USED ON: DO NOT SCALE DWG.

CHECKER: DATE: WEIGHT APPROX. CAGE CODE: 83008

ENGINEER: DATE: SCALE: .25=1 SHEET 1 OF 1

DWG. NO. 031-8510

STACO ENERGY PRODUCTS CO.
A Components Corporation of Ametec Company
302 South Boulevard Dayton, Ohio 45403 USA